

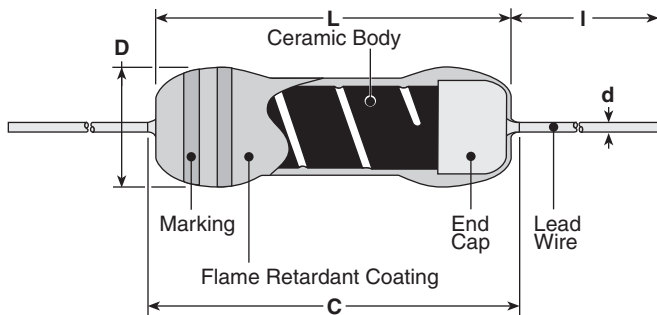
**reduced size metal oxide power type
leaded resistor**



features

- Small size power type resistor
- Coated with UL94V0 equivalent flameproof material
- Suitable for automatic machine insertion
- Marking: Pink body color with color-coded bands or alpha-numeric black marking
- Products with lead-free terminations meet EU RoHS and China RoHS requirements
- Surface mount style “N” forming is suitable for automatic mounting

dimensions and construction



Type	Dimensions inches (mm)				
	L	C (max.)	D	d (nom.)	I*
MOS1/2 MOSX1/2	.244±.02 (6.2±0.5)	.280 (7.1)	.098±.02 (2.5±0.5)	.024 (0.6)	.945 Min. (24.0 Min.)
MOS1 MOSX1	.354±.039 (9.0±1.0)	.437 (11.1)	.118±.02 (3.0±0.5)	.031 (0.8)	
MOS2 MOSX2	.472±.039 (12.0±1.0)	.591 (15.0)	.157±.02 (4.0±0.5)		
MOS3 MOSX3	.610±.039 (15.5±1.0)	.709 (18.0)	.236±.039 (6.0±1.0)		1.18±.118 (30.0±3.0)
MOS5 MOSX5	.965±.039 (24.5±1.0)	1.10 (28.0)	.354±.039 (9.0±1.0)		1.50±.118 (38.0±3.0)

* Lead length changes depending on taping and forming type.

ordering information

New Part #	MOS	1/2	C	T52	A	103	J
Type	MOS MOSX	Power Rating 1/2: 0.5W 1: 1W 2: 2W 3: 3W 5: 5W	Termination Material C: SnCu	Taping and Forming Axial: T26, T52, T521, T631 Stand-off Axial: L52, L521, L631 Radial: VTP, VTE, GT, GT4 L, U, M, N Forming	Packaging A: Ammo R: Reel TEB: Plastic embossed (N forming)	Nominal Resistance ±2%, ±5%: 2 significant figures + 1 multiplier “R” indicates decimal on value <10Ω ±1%: 3 significant figures + 1 multiplier “R” indicates decimal on value <100Ω	Tolerance F: ±1% G: ±2% J: ±5%

For further information on packaging, please refer to Appendix C.

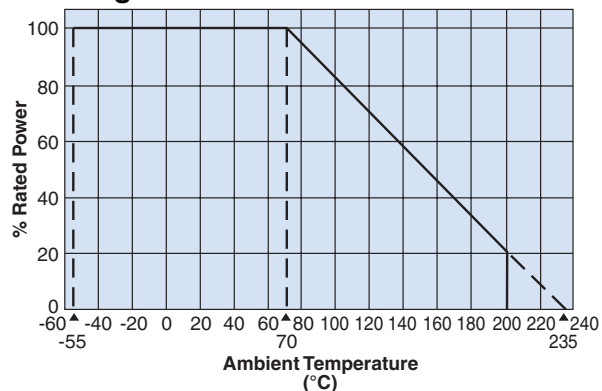
reduced size metal oxide power type leaded resistor

applications and ratings

Part Designation	Power Rating @ 70°C	Minimum Dielectric Withstanding Voltage	T.C.R. (ppm/°C) Max.	Resistance Range			Absolute Maximum Working Voltage	Absolute Maximum Overload Voltage	Operating Temperature Range
				E-24, E-96 (F±1%)	E-24 (G±2%)	E-24 (J±5%)			
MOS1/2	0.5W	400V	±300	10Ω - 47kΩ	10Ω - 47kΩ	10Ω - 47kΩ	300V	600V	-55°C to +200°C
MOS1	1.0W	500V		10Ω - 68kΩ	10Ω - 68kΩ	10Ω - 100kΩ	350V		
MOS2	2.0W			10Ω - 100kΩ	10Ω - 100kΩ			500V	
MOS3	3.0W	700V		—	10Ω - 100kΩ	10Ω - 100kΩ	500V	1000V	
MOS5	5.0W	800V		—	—	—	500V	1000V	
MOSX1/2	0.5W	400V		—	—	—	—	—	
MOSX1	1.0W	500V		1Ω - 9.1Ω	—	—	$E = \sqrt{P \times R}$	E x 2.5	
MOSX2	2.0W			0.22Ω - 9.1Ω	0.1Ω - 9.1Ω				
MOSX3	3.0W	700V		—	—	—	—	—	
MOSX5	5.0W	800V		—	—	—	—	—	

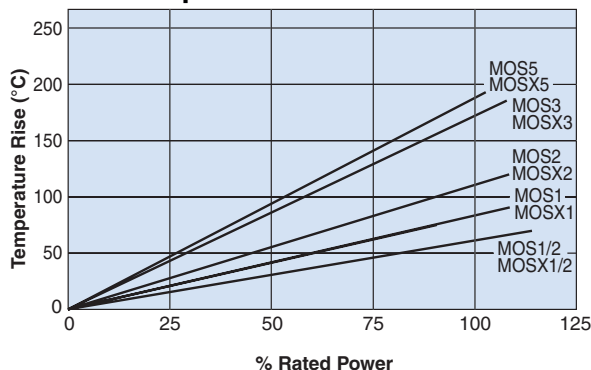
environmental applications

Derating Curve



For resistors operated at an ambient temperature of 70°C or above, a power rating shall be derated in accordance with the above derating curve.

Surface Temperature Rise



Performance Characteristics

Parameter	Requirement $\Delta R \pm(\% + 0.05\Omega)$		Test Method
	Limit	Typical	
Resistance	Within specified tolerance	—	Measuring points are at 10mm ±1mm from the end cap.
T.C.R.	Within specified T.C.R.	—	Room temperature +100°C
Overload (Short time)	±(2% +0.1Ω)	±1%	Rated voltage x 2.5 for 5 seconds
Resistance to Solder Heat	±1%	±0.5%	260°C ±5°C, 10 seconds ± 1 second
Terminal Strength	No lead-coming off and loose terminals	—	Twist 360°C, 5 times
Rapid Change of Temperature	±1%	±0.5%	-55°C (30 minutes), +155°C (30 minutes), 5 cycles
Moisture Resistance	±(5%+0.1Ω)	±2.5%	40°C ± 2°C, 90 - 95% RH, 1000 hours, 1.5 hr ON, 0.5 hr OFF cycle
Endurance at 70°C	±(5%+0.1Ω)	±2.5%	70°C ± 2°C, 1000 hours, 1.5 hr ON, 0.5 hr OFF cycle
Resistance to Solvent	No abnormality in appearance. Marking shall be easily legible	—	Ultrasonic washing with isopropyl alcohol for 2 minutes. Power: 0.3W/cm ³ , f: 28kHz, Temp: 35°C ±5°C
Flame Retardant	No evidence of flaming or self-flaming	—	Flame test: the test flame shall be applied and removed for each 15 seconds respectively to repeat the cycle 5 times. Overload flame retardant: power (AC) corresponding to 2, 4, 8, 16 and 32 times the power rating shall be applied for each 1 minute until disconnection occurs. However the applied voltage shall not exceed the value of 4 times of the maximum operating voltage

Mouser Electronics

Authorized Distributor

Click to View Pricing, Inventory, Delivery & Lifecycle Information:

KOA Speer:

[MOS1L473J](#) [MOS2LT52R150J](#) [MOSX1LT52RR51J](#) [MOS2LT52R133J](#) [MOSX2LT52RR200F](#) [MOS1LT52R270J](#)
[MOS1LT52R273J](#) [MOS1LT52R272J](#) [MOS1LT52R910J](#) [MOS2LT52R510J](#) [MOS2LT52R471J](#) [MOS2LT52R473J](#)
[MOS1LT52R303J](#) [MOSX3LT631RR22J](#) [MOS2LT52R472J](#) [MOS2LT52R470J](#) [MOSX3LT631RR82J](#) [MOSX5L1R5J](#)
[MOSX2LT52RR10J](#) [MOS3LT631R361J](#) [MOS3LT631R120J](#) [MOS3LT631R243J](#) [MOSX2LT52R2R7J](#)
[MOS3LT631R201J](#) [MOSX2LT52RR51J](#) [MOS1LT52R202J](#) [MOS1LT52R680J](#) [MOSX5L3R9J](#) [MOS2LT52R202J](#)
[MOS2LT52R203J](#) [MOS2LT52R200J](#) [MOS2LT52R201J](#) [MOS3LT631R563J](#) [MOS3LT631R561J](#) [MOS3LT631R241J](#)
[MOS3L471J](#) [MOS3LT631R220J](#) [MOS1LT52R223J](#) [MOS3LT631R513J](#) [MOS3LT631R751J](#) [MOS3LT631R750J](#)
[MOS3LT631R273J](#) [MOS1/2LT52R5901F](#) [MOSX1LT52R6R8J](#) [MOSX3LT631RR75J](#) [MOSX1/2LT52RR47J](#)
[MOS5L101J](#) [MOS1LT52R131J](#) [MOS1LT52R512J](#) [MOS1LT52R470J](#) [MOS1LT52R510J](#) [MOS1LT52R511J](#)
[MOS2LT52R910J](#) [MOS5L753G](#) [MOS3LT631R330J](#) [MOSX1/2LT52R1R00F](#) [MOS1LT52R360J](#) [MOS1LT52R361J](#)
[MOS3LT631R680J](#) [MOS3LT631R683J](#) [MOSX1/2LT52R1R3J](#) [MOS3LT631R681J](#) [MOS2LT52R561G](#)
[MOS2LT52R561J](#) [MOS1LT52R333J](#) [MOS1LT52R331J](#) [MOSX3LT631R5R1J](#) [MOS2LT52R100G](#) [MOS2LT52R104J](#)
[MOS2LT52R100J](#) [MOS2LT52R102J](#) [MOS2LT52R101J](#) [MOSX3LR51J](#) [MOSX1LT52R3R9J](#) [MOS1L330J](#)
[MOSX1LT52RR30J](#) [MOS2LT52R273J](#) [MOS2LT52R272J](#) [MOS2LT52R271J](#) [MOSX1/2LT52RR22J](#) [MOS1LT52R620J](#)
[MOS3LT631R181J](#) [MOS1LT52R220J](#) [MOS1LT52R221J](#) [MOSX5L2R4J](#) [MOS2LT52R431J](#) [MOS2LT52R432J](#)
[MOS3LT631R221J](#) [MOSX5L2R0J](#) [MOS2L200J](#) [MOS1LT52R203J](#) [MOS1/2LT52R681J](#) [MOS3L180J](#)
[MOS1/2LT52R680J](#) [MOS1/2L150J](#) [MOS5L272J](#) [MOS2LT52R301J](#) [MOS2LT52R302J](#) [MOS2LT52R300J](#)
[MOS1LT52R121J](#)